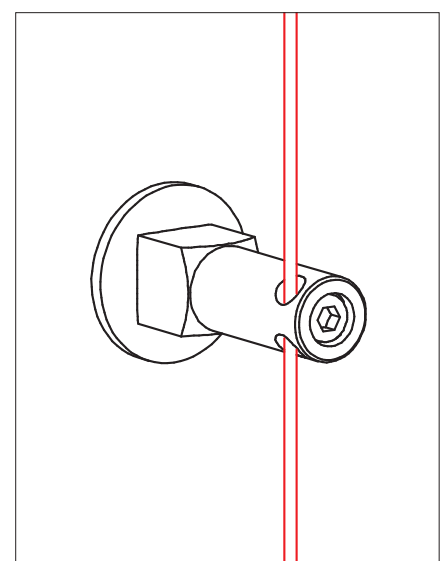
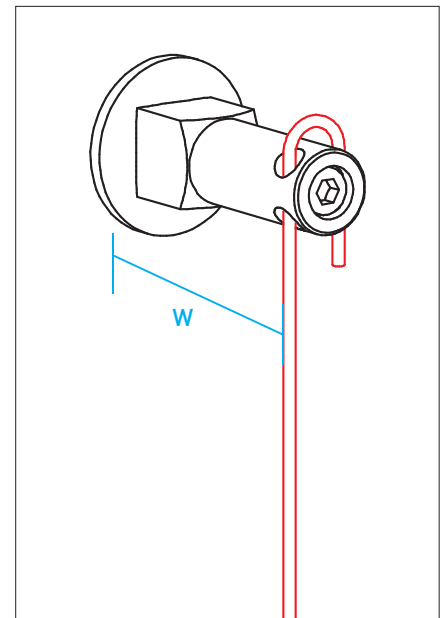
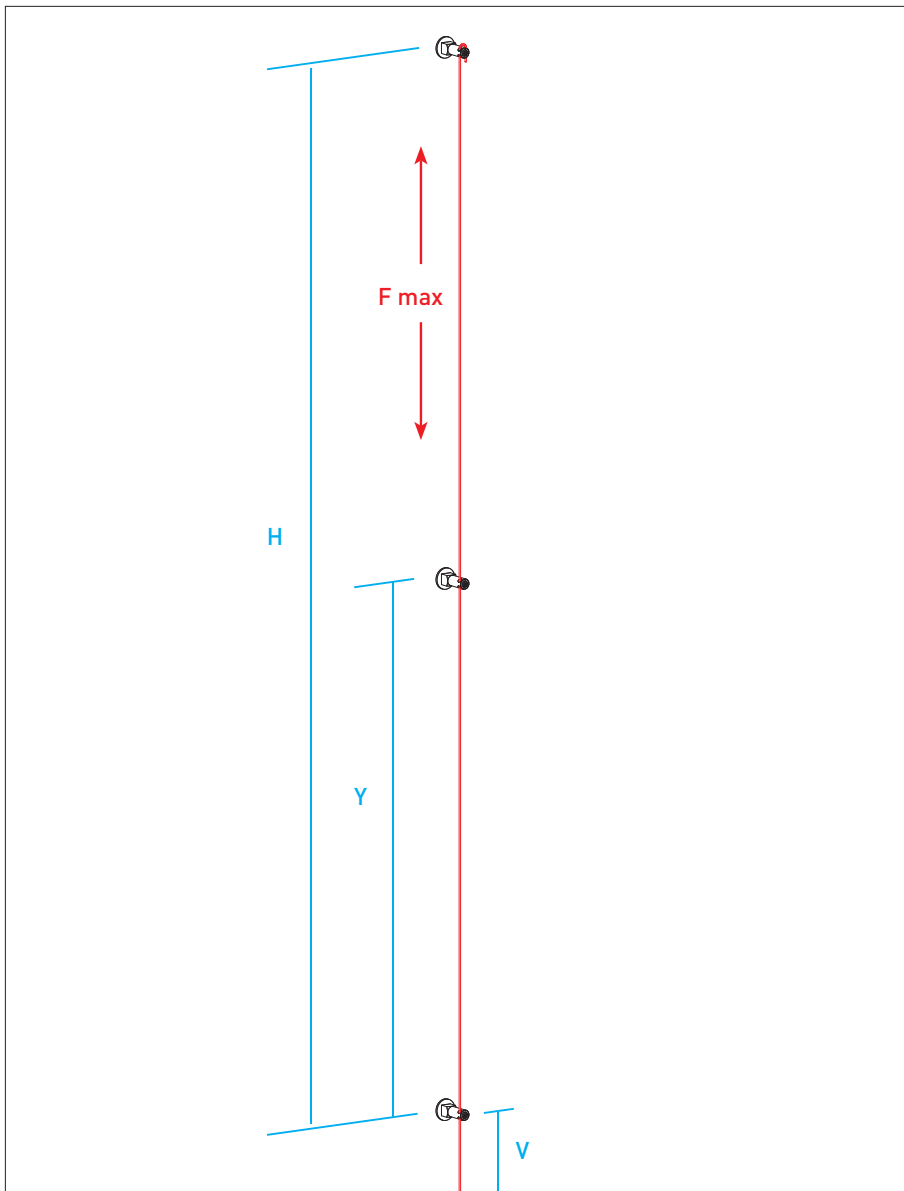


GRENCABLE® LIGHT

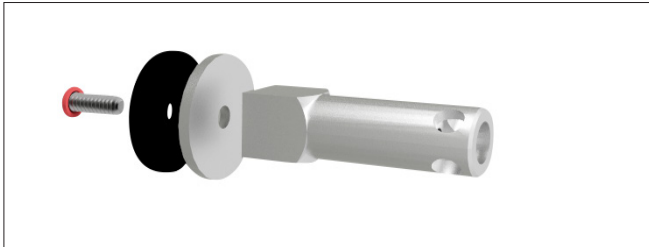
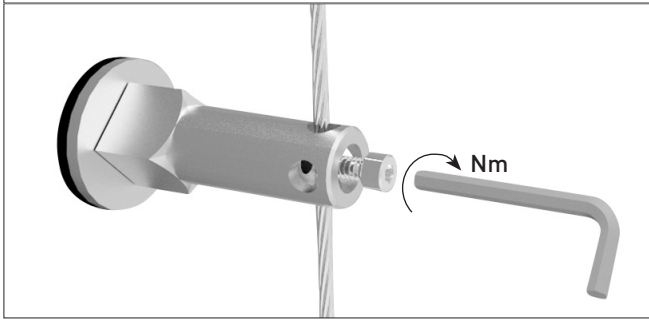

RGL 1000

TYPE / NAME	RSL 1000 / Aluminum base
PLANT SPECIES	Climbers
PERMITTED FACADE TYPE	Armoured concrete C20/25 or on steel beam
Y	Max. 1.000 mm
H	Max. 12.000 mm
V	200 mm
W	95 mm
F MAX.	1,29 kN



GRENCABLE® LIGHT

RGL 1000

TYPE / NAME		RSL 1000 / Aluminum base
DESCRIPTION		Trellis structure by aluminum bases in vertical direction with high flexible stainless steel rope \varnothing 4mm Aluminum base with internal thread M10, cover disk and sealing disk Climber studs by UV-resistant plastic on request
REQUIRED DATA	Height H	___ Meter
	Distance Y	___ Meter
Quantity calculation of aluminum base		H / Y
ITEMS / ART.-NO.		<ul style="list-style-type: none"> ▪ GRENCABLE Base incl. socket head screw / G02-10-85 ▪ GRENCABLE Disc / G02-10-01 ▪ GRENCABLE Sealing disc / G02-12-03 ▪ Rope, AISI316, \varnothing4 (7x19) / 830-0400 ▪ Climber studs plastic / 924-0400
INSTALLATION		
		
	1.	Mounting of wall anchor or dual head screw.
	2.	Mounting of sealing disk and cover disk to balance rough surfaces and turn on the aluminum base.
	3.	Tighten the aluminum base by a suitable tool and orientate the base to the appropriate position. Pull the ropes through the aluminum bases as required.
4.	Tighten the head socket screw (min. 20 Nm)	
MOUNTING SURFACE		Concrete C20/25
ITEMS / ART.-NO.		Wall anchor BZ plus A4 / MKT / 803-1000-08 
Assembly instructions		according to manufacturer