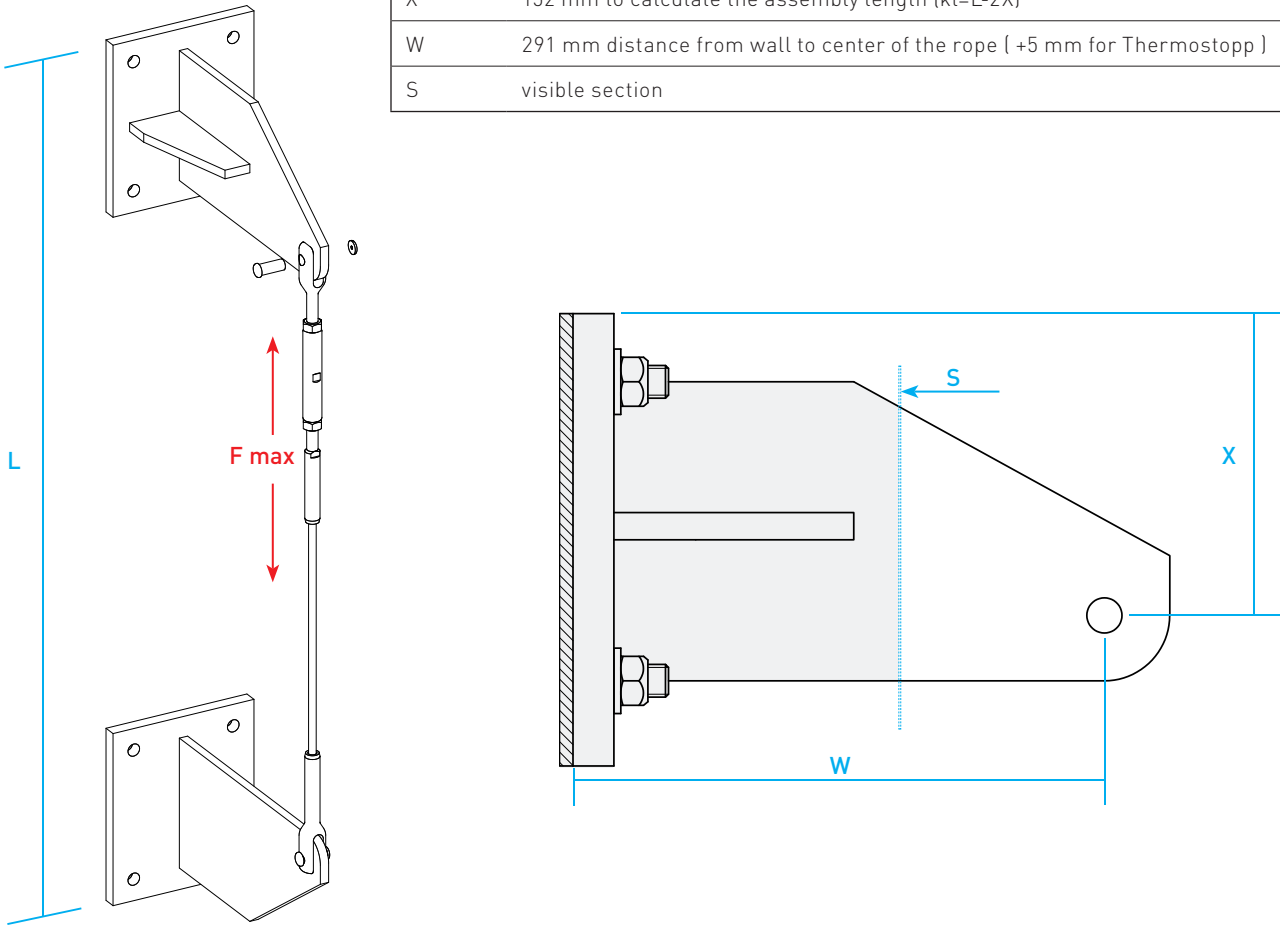



GRENCABLE® HEAVY

RSK 291

TYPE / NAME	RSK 291 / CANTILEVER BRACKET
PLANT SPECIES	Climbers and Twiners
PERMITTED FACADE TYPE	Armoured concrete C20/25 with ETICS or on steel beam
L - SYSTEM HEIGHT	max. height 14 m, depending wind loads and plant weight <i>(see CS system statics)</i>
F MAX.	approx. 18 kN <i>(see CS system statics)</i>

SYSTEM DIAGRAMM	Details
	X 152 mm to calculate the assembly length ($kl=L-2X$)
	W 291 mm distance from wall to center of the rope (+5 mm for Thermostopp)
	S visible section

TENDER SPECIFICATION	<p>GRENCABLE® System „Cantilever bracket“ consisting of:</p> <ul style="list-style-type: none"> 2 Stainless steel brackets (AISI304) wall distance 291 mm, as anchorage point for stainless steel ropes \varnothing 8 mm with fork fittings and turnbuckl , system height L [mm] - incl. CS system statics - incl. Thermostopp insulating plate on ETICS, thickness 5 mm - incl. 8 anchors according to static requirements in armoured concrete or steel beam, incl. ETA for ropes and fittings. - incl. static analysis and drawings of brackets, ropes and fittings <p>Installation service on request (Remark: Bracket has to be mounted before ETICS)</p>
----------------------	--

TYPE / NAME	RSK 291 / Cantilever bracket					
Statical conditions	<ul style="list-style-type: none"> ▪ Rope assembly Ø8mm with both sides fork fittings ▪ max. ETICS 200mm / wall distance 291 mm ▪ Plants with load class LKL 2 and 3 according to the guidelines of the German Association FLL, e.g. Lonicera caprifolium, Akebia quinata, Aristolochia macrophylla. ▪ max. height depending on local wind load zone. ▪ Load-bearing wall concrete C20/25 (200mm), mounting depth 150mm or M12 screws on steel beams ▪ Distance between rope systems min. 1 meter. 					
Max. system height L depending on wind loads and plant loads	WLZ 1		WLZ 2		WLZ 3	
	14 m	LKL 2	12 m	LKL 2	10 m	LKL 2
	13 m	LKL 3	11 m	LKL 3	9 m	LKL 3
	WLZ = Wind load zone / according to DIN EN 13659					
LKL = Load class of facade plants according to the guidelines of the German Association FLL LKL 2 = approx. 14kg LKL 3 = approx. 19kg						
Items / Art.-No.	<ul style="list-style-type: none"> ▪ Cantilever bracket , AISI304 / G02-02-291 ▪ Rope assembly, AISI316 / IS-0800 consisting of: <ul style="list-style-type: none"> o Rope Ø8 (7x19) 830-0800 o one side fork fitting 681-0800 o other side fork fitting with turnbuckle 670-0800 ▪ Thermostopp 5mm / G02-02-001 ▪ Mounting kit / according to site conditions 					
Mounting on concrete C20/25	Stainless steel adhesive anchor system					
						
Mounting on steel beams	Stainless steel mounting kit					
	