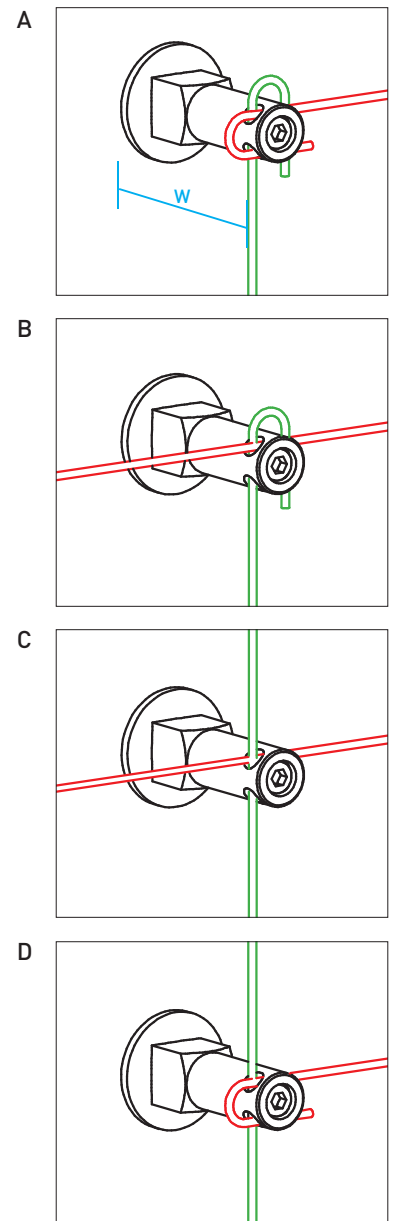
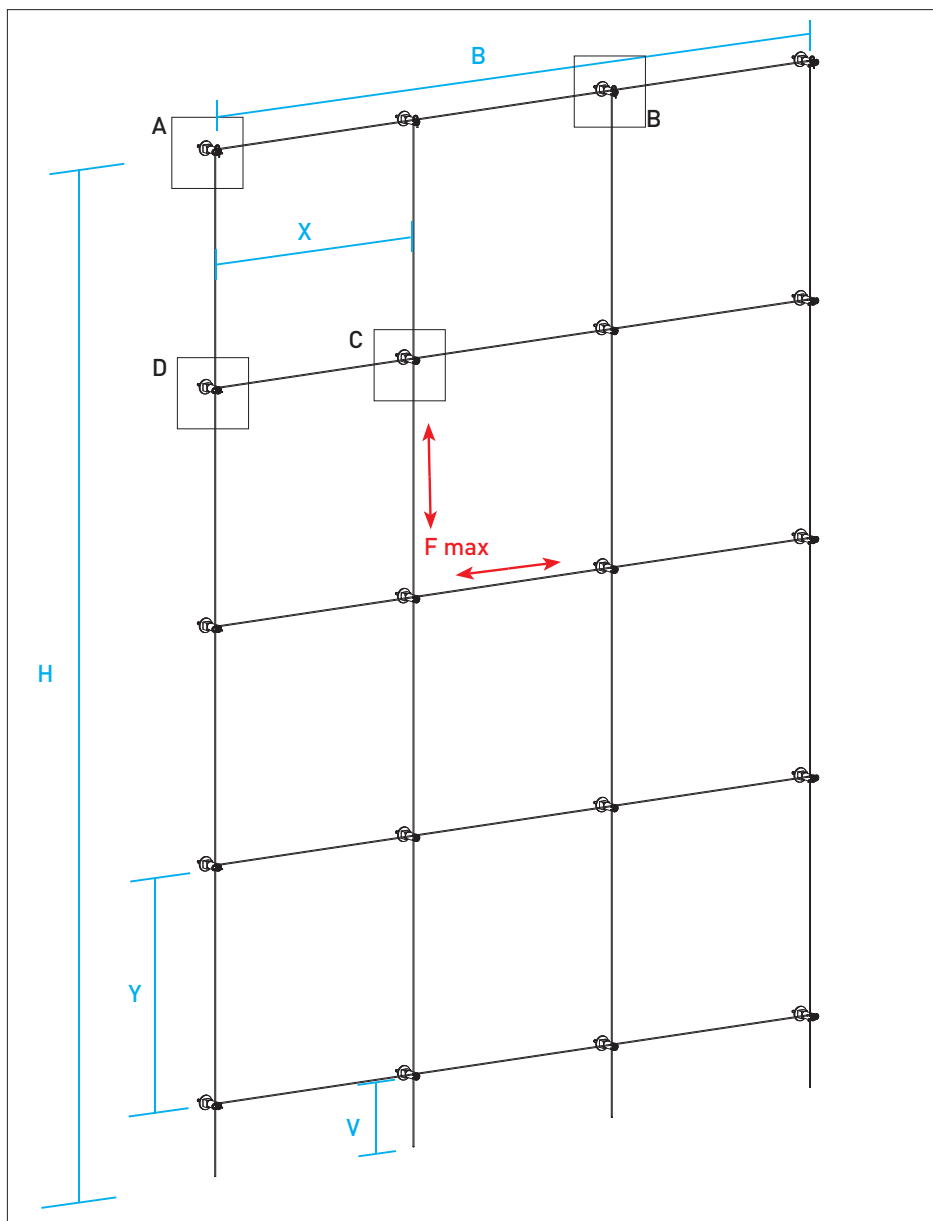


GRENCABLE® LIGHTS

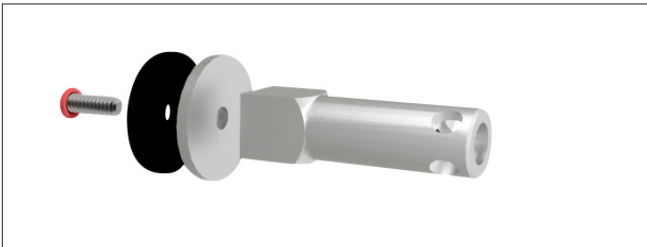
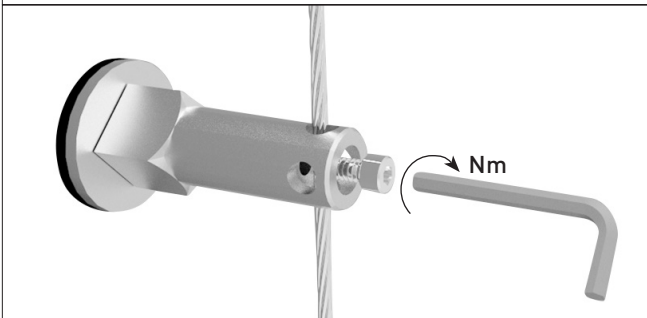

RGQ 1000

TYPE / NAME	RGQ 1000 / Aluminum base
PLANT SPECIES	Climber and Ramblers
PERMITTED FACADE TYPE	Concrete C20/25 or steel beams
B	Modular expandable
X	Max. 1.000 mm
Y	Max. 1.000 mm
H	Max. 12.000 mm
V	200 mm
W	95 mm
F MAX.	1,29 kN



GRENCABLE® LIGHT

RSQ 1000

TYPE / NAME		RGQ 1000 / Aluminum base	
DESCRIPTION		Trellis structure by aluminum bases placed in a square grid with high flexible stainless steel rope \varnothing 4mm Aluminum base with internal thread M10, cover disk and sealing disk Climber studs by UV-resistant plastic on request	
REQUIRED DATA	Height H	___ Meter	
	Distance X&Y	___ Meter	
Quantity calculation of aluminum base		$(H/Y + 1) \times (B/X + 1)$	
ITEMS / ART.-NO.		<ul style="list-style-type: none"> ▪ GRENCABLE Base incl. socket head screw / G02-10-85 ▪ GRENCABLE Disc / G02-10-01 ▪ GRENCABLE Sealing disc / G02-12-03 ▪ Rope, AISI316 \varnothing 4 (7x19) / 830-0400 ▪ Climber studs plastic / 924-0400 	
INSTALLATION			
			
	1.	Mounting of wall anchor or dual head screw.	
	2.	Mounting of sealing disk and cover disk to balance rough surfaces and turn on the aluminum base.	
	3.	Tighten the aluminum base by a suitable tool and orientate the base to the appropriate position. Pull the ropes through the aluminum bases as required.	
4.	Tighten the head socket screw (min. 20 Nm)		
MOUNTING SURFACE		Concrete C20/25	
ITEMS / ART.-NO.		Wall anchor BZ plus A4 / MKT / 803-1000-08	
MONTAGEANLEITUNG		according to manufacturer	