

GRENCABLE® HEAVY CUSTOM SOLUTIONS

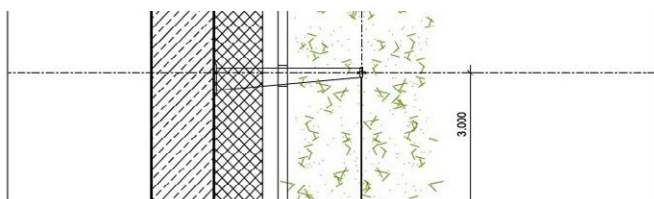
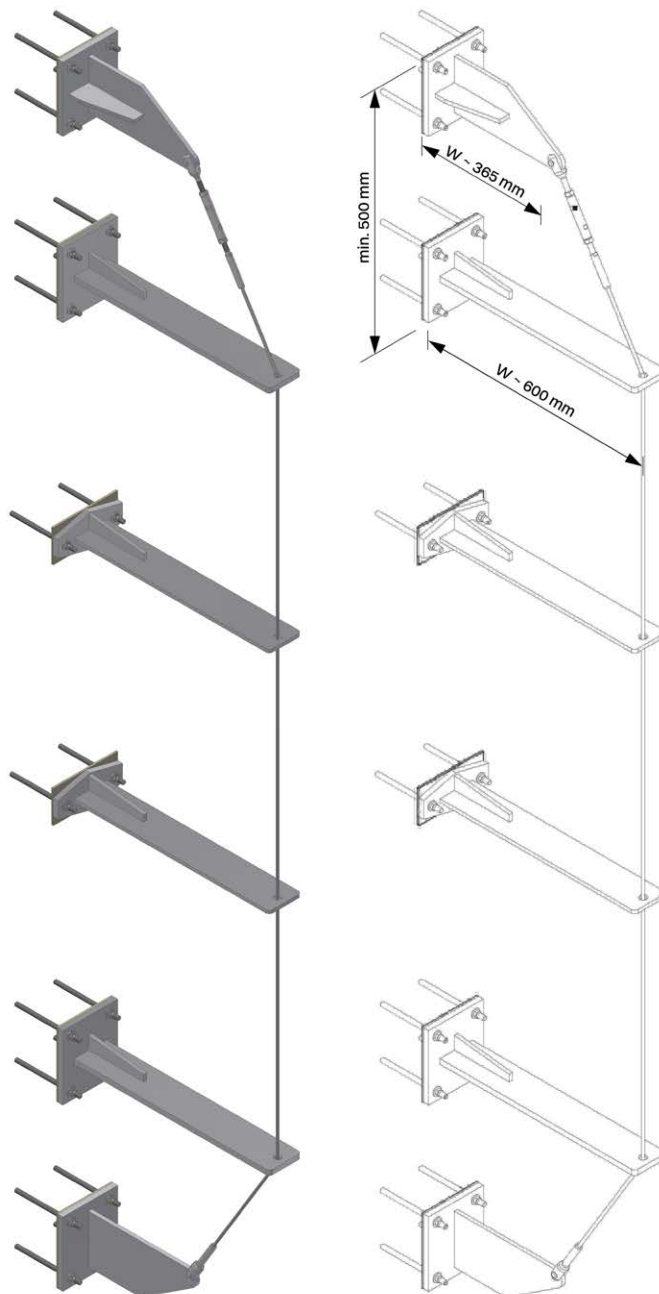
TRAPEZOIDAL SOLUTIONS:

For demanding facade requirements, GRENCABLE® HEAVY offers sophisticated and efficient system solutions.

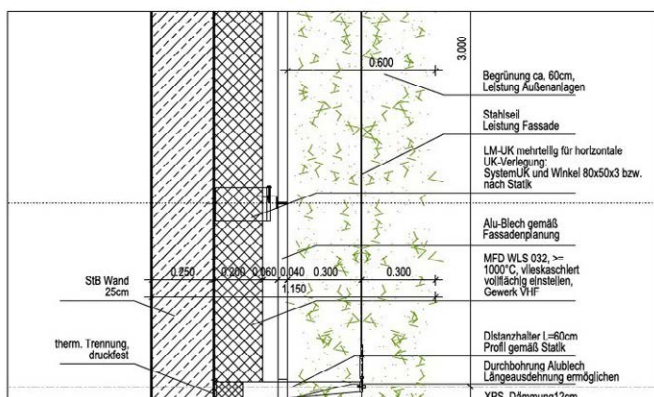
By routing the I-SYS® Stainless Steel Cable back, the load point moves closer to the load-bearing wall, thereby reducing the lever forces relative to the cable axis. The trapezoidal solutions thus allow for larger facade clearances of up to 550 mm.

A standard bracket is used at the upper end of the system. The first intermediate bracket is designed with a standard base plate, while the subsequent intermediate brackets are again constructed with the small base plate. This allows for larger wall clearances to be achieved in some cases even with standard brackets.

Base plates, connection plates, and dowel fasteners are manufactured in standard material thicknesses. This simplifies procurement, shortens delivery times, and reduces costs.



Detail Schnitt Seilsystem Kopfpunkt M1:10



GRENCABLE® HEAVY CUSTOM SOLUTIONS

GRENCABLE® HEAVY XL:

Special brackets are used specifically for wood or metal facades with complex structures.

By using customized base plates, mounting anchors, or cross-sections, wall clearances of 600 to 800 mm from the plant axis can be achieved. In this configuration, the side welded plates are positioned closer to the cable.

This requires individual planning and structural analysis, which can, however, be carried out by Carl Stahl ARC's in-house services - truly a "one-stop shop." This reduces coordination points and accelerates the project timeline.

